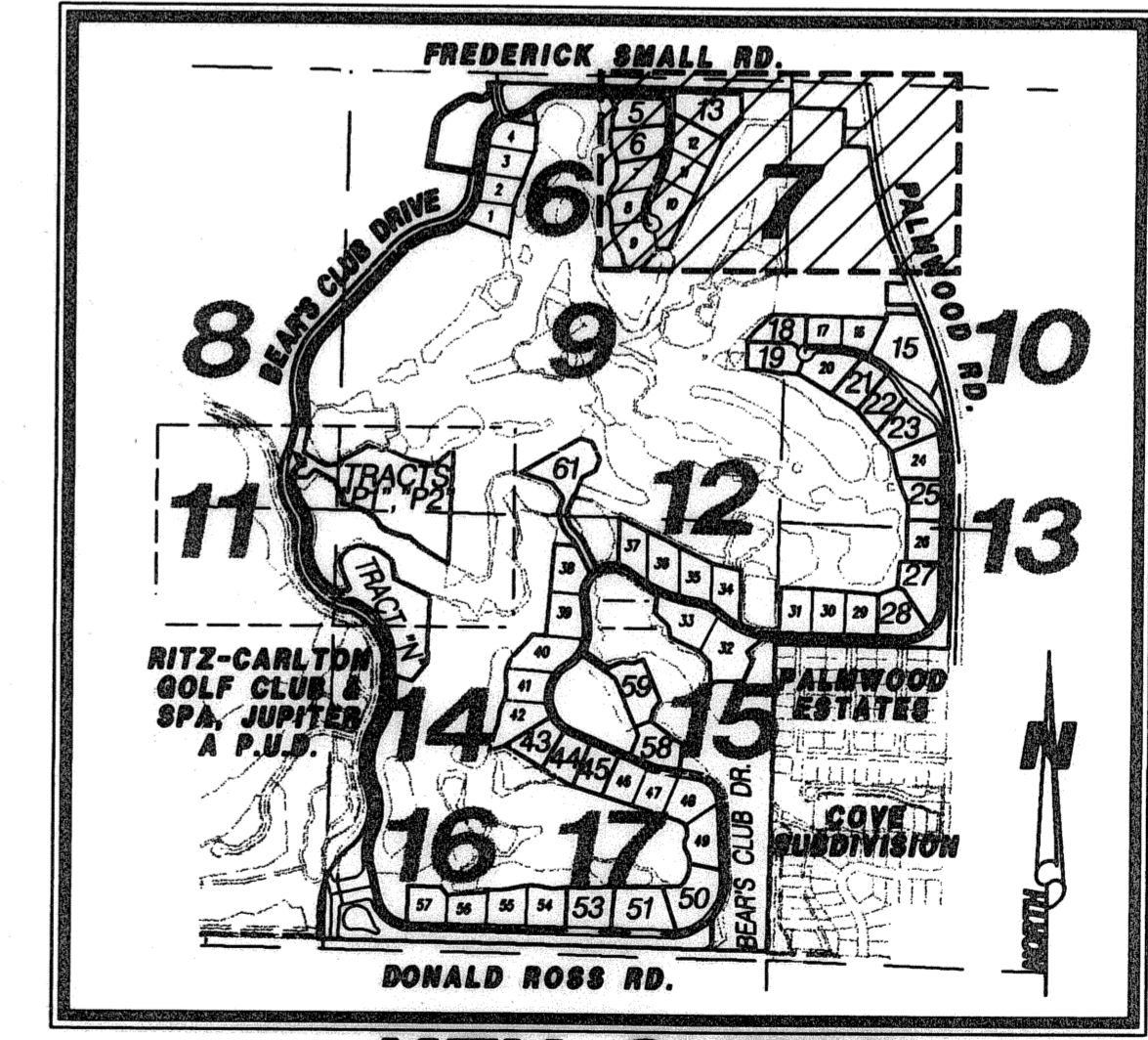
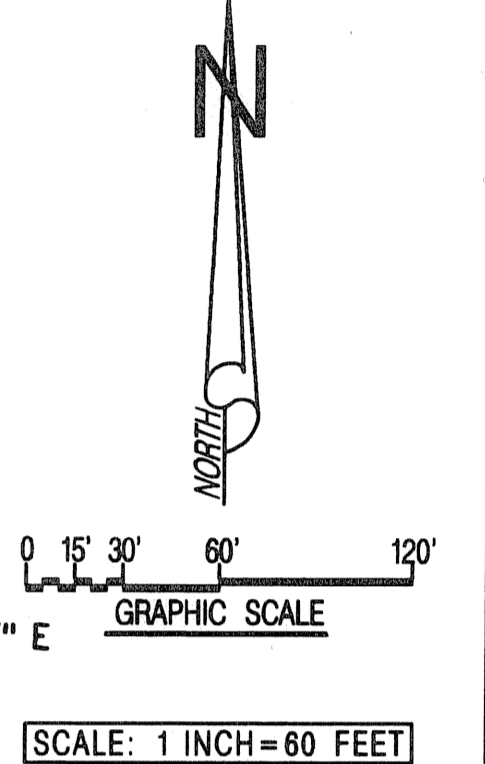
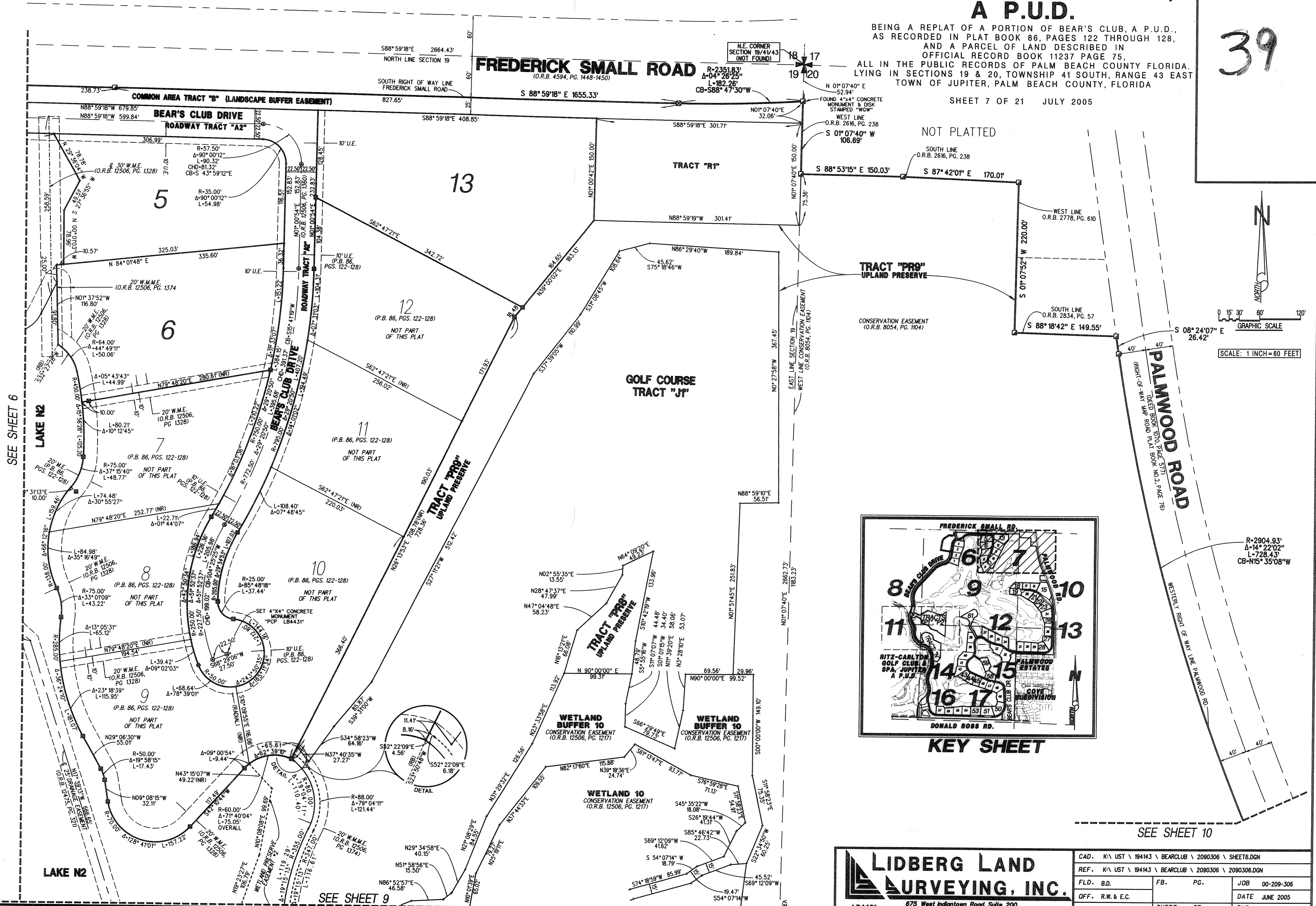


# BEAR'S CLUB REPLAT, A P.U.D.

BEING A REPLAT OF A PORTION OF BEAR'S CLUB, A P.U.D., AS RECORDED IN PLAT BOOK 86, PAGES 122 THROUGH 128, AND A PARCEL OF LAND DESCRIBED IN OFFICIAL RECORD BOOK 11237 PAGE 75, ALL IN THE PUBLIC RECORDS OF PALM BEACH COUNTY FLORIDA, LYING IN SECTIONS 19 & 20, TOWNSHIP 41 SOUTH, RANGE 43 EAST TOWN OF JUPITER, PALM BEACH COUNTY, FLORIDA

39

SHEET 7 OF 21 JULY 2005



KEY SHEET

SEE SHEET 10

**LIDBERG LAND SURVEYING, INC.**  
 675 West Indiantown Road, Suite 200, Jupiter, Florida 33458 TEL. 561-746-8454

CAD.	K:\UST \ 194143 \ BEARCLUB \ 2090306 \ SHEET6.DGN				
REF.	K:\UST \ 194143 \ BEARCLUB \ 2090306 \ 2090306.DGN				
FLD.	B.D.	FB.	PG.	JOB	00-209-306
OFF.	R.W. & E.C.			DATE	JUNE 2005
CKD.	D.C.L.	SHEET	7 OF 21	DWG.	D00-209P